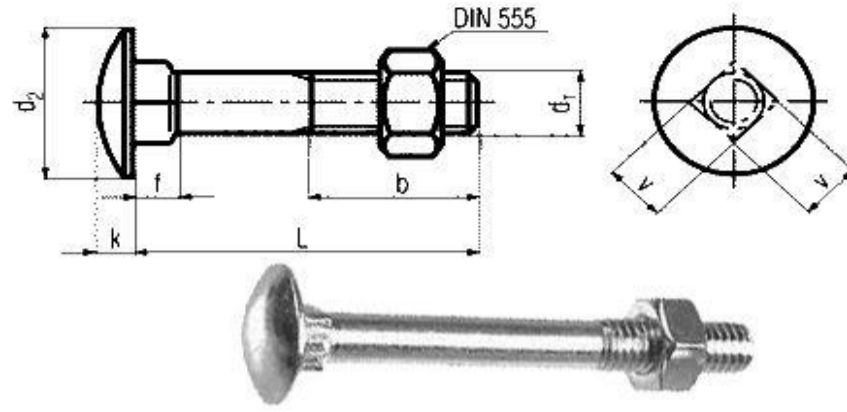


## Cup Square Carriage Bolts & Nuts DIN603/555 Gr.4.6



Length	M10	M12	M16
d2 (max)	24.65	30.65	38.8
k (max)	5.38	6.95	8.95
f (max)	6.6	8.75	12.9
b < 125	26	30	38
b < 200	32	36	44
b > 200	45	49	57

Length	M10	M12	M16
40	x	x	✓
50	x	x	
60	x	x	
65	x	x	
80	x	✓	
90	x	x	
100	✓	✓	
110		x	
120		x	
130		✓	
140		x	
150		✓	
160		x	
180		✓	
200		✓	
240		✓	
300		✓	