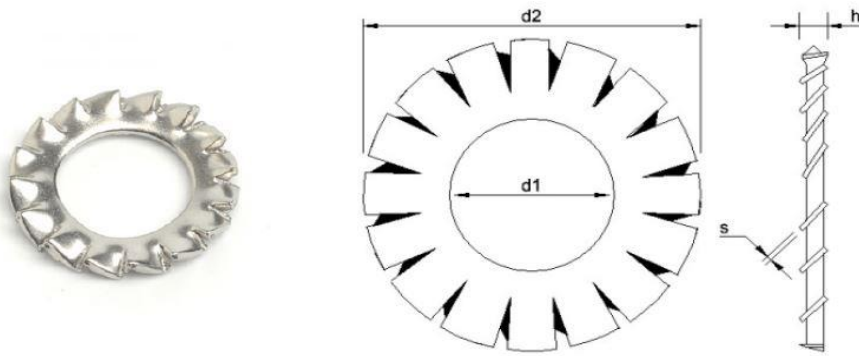


External Tooth Washer DIN 6798 A



Diameter	M4	M5	M6	M8	M10	M12	M14	M16	M18	M20	M22	M24
d1 (Max)	4.3	5.3	6.4	8.4	10.5	13	15	17	16	21	23	25
d2 (Max)	8	10	11	15	18	20.5	24	26	30	33	36	38
h	3 x 's'	3 x 's'	3 x 's'	3 x 's'	3 x 's'	3 x 's'	3 x 's'	3 x 's'	3 x 's'	3 x 's'	3 x 's'	3 x 's'
s	0.5	0.6	0.7	0.8	0.9	1	1	1.2	1.4	1.4	1.5	1.5
Diameter	M4	M5	M6	M8	M10	M12	M14	M16	M18	M20	M22	M24
	x	✓	x	✓	✓	✓	x	✓	✓	✓	x	✓

✓ = Indicates sizes normally available from stock or on short lead time.
 x = Indicates sizes available to order (subject to minimum order quantity)